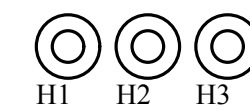
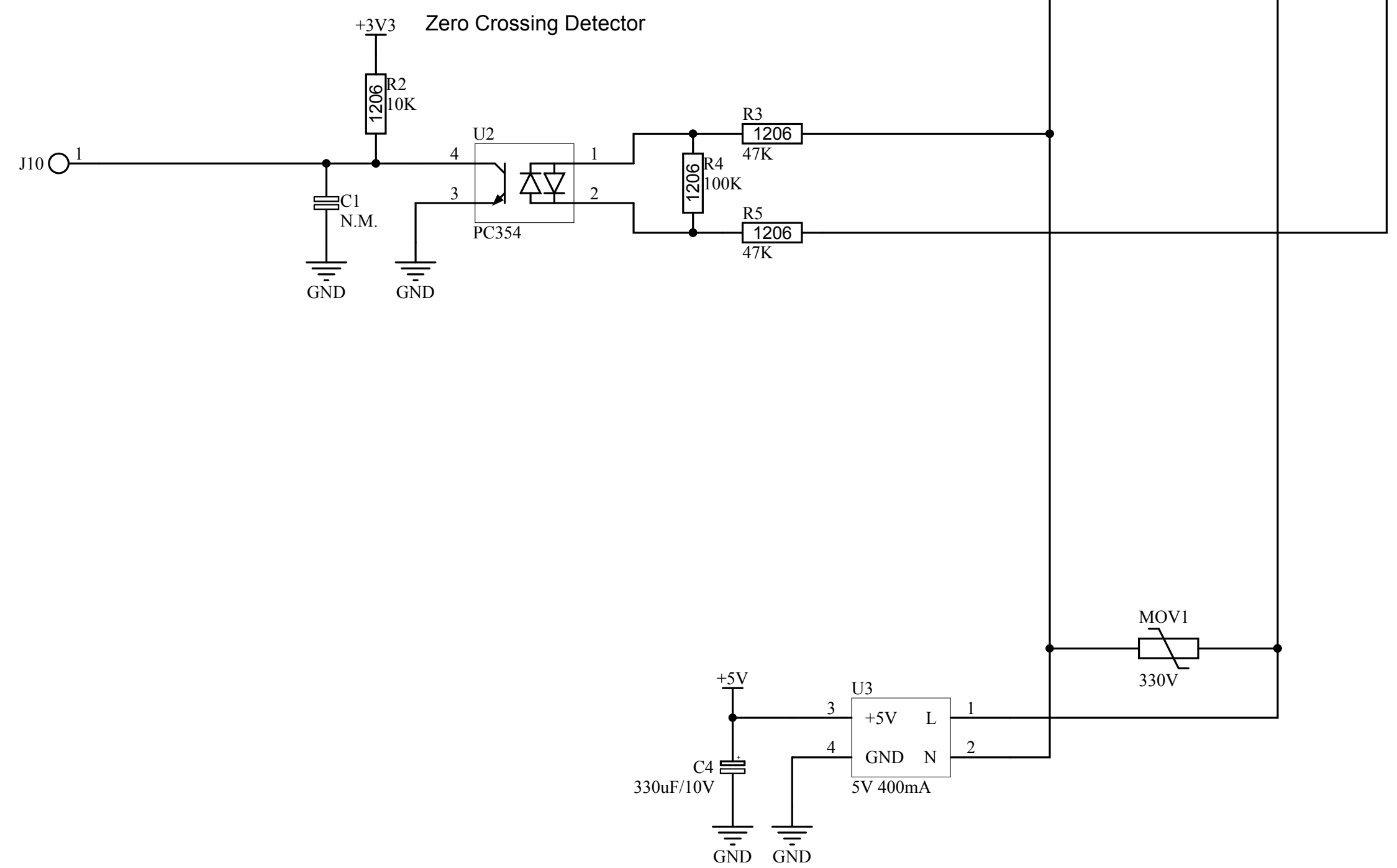
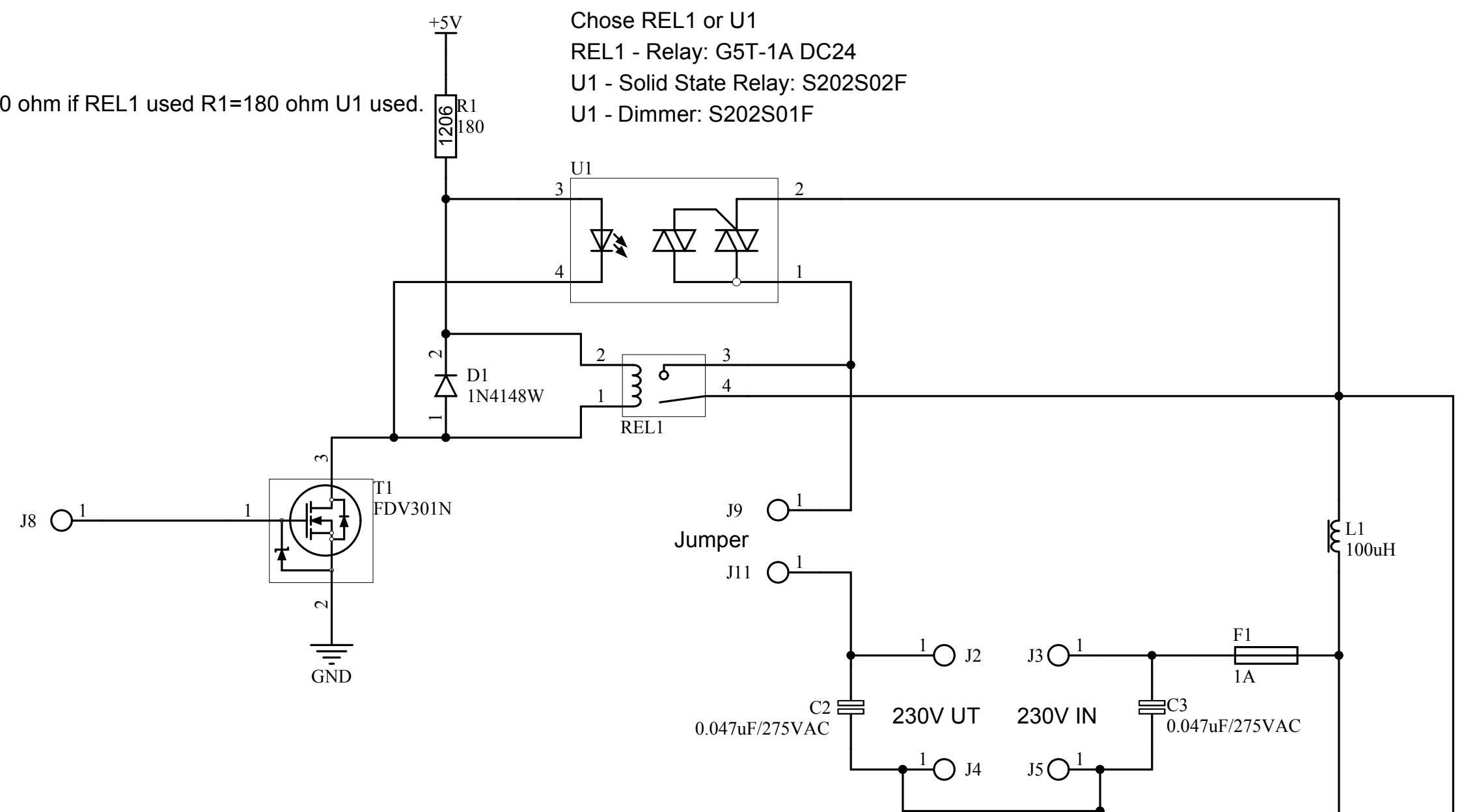


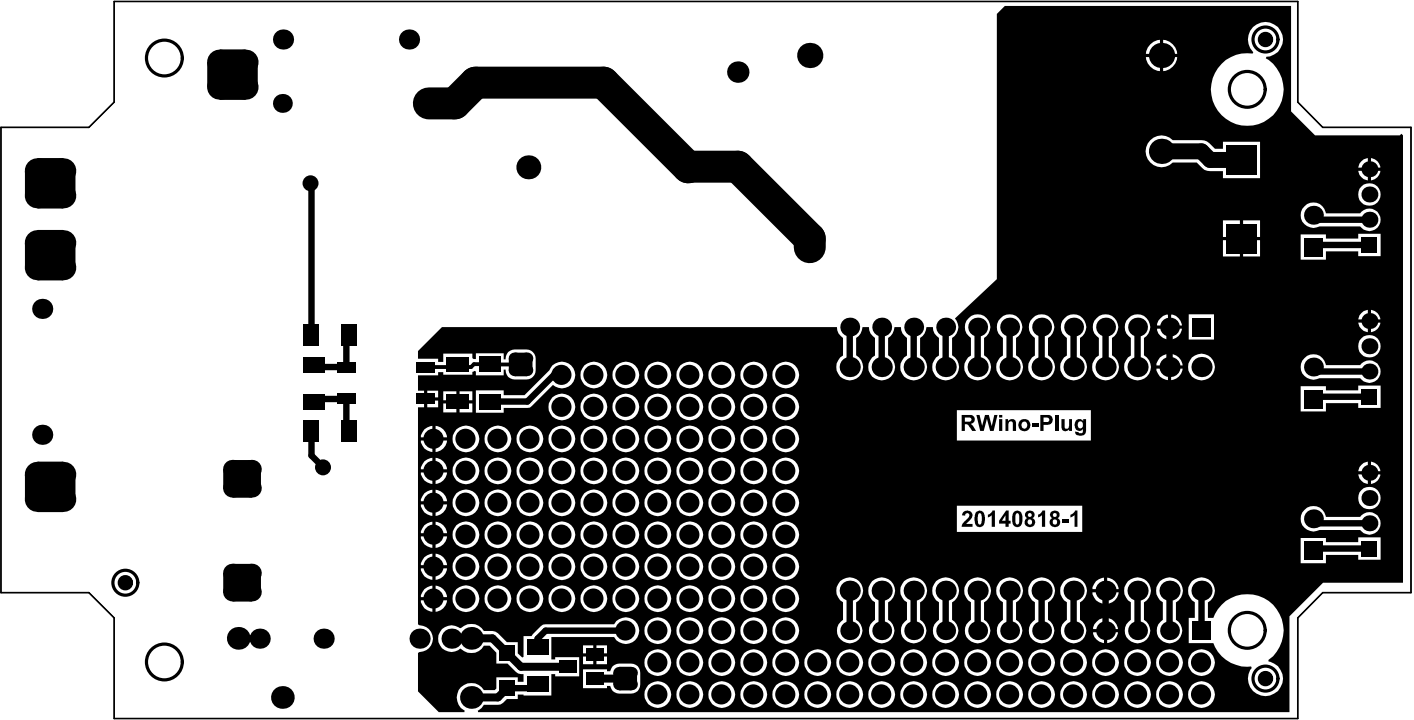
Chose REL1 or U1  
 REL1 - Relay: G5T-1A DC24  
 U1 - Solid State Relay: S202S02F  
 U1 - Dimmer: S202S01F

R1=0 ohm if REL1 used R1=180 ohm U1 used.



Title <b>RWino_Plug</b>			Bläckbild Hotellvägen 9 262 61 Ängelholm Sweden www.blackbild.se
Size: A3	Number:*	Revision:0.2	
Date: 2014-09-01	Time: 18:08:41	Sheet 1 of 1	
File: \\psf\Home\Documents\Dropbox\Altium\RWino_Plug\RWino_Plug.SchDoc			





RWino-Plug

20140818-1

